



EST-750

Universal Hydraulic
Operating Table



Pulse Healthcare Technology

House: 11/1, Shahid Minar Road
Kallyanpur, Dhaka-1216, Bangladesh.

Mobile: +8801708008061

e-mail: info@pht.com.bd

web: www.pht.com.bd

OPERATING THEATRE



EST-750

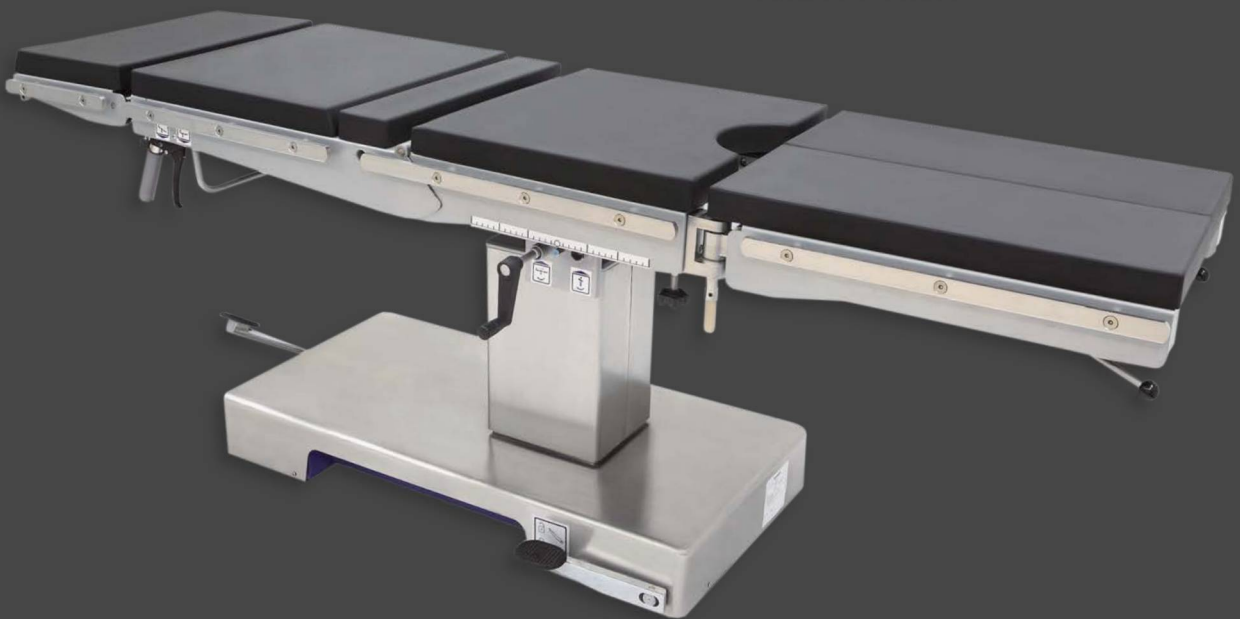


Universal Hydraulic Operating Table



EST-750 is a mechanical operating table fully meeting requests of different surgery departments. It provides various positions through simple and accurate operation while ensuring patients' safety and comfort. Cost-effective EST-750 with versatility is the ideal choice for modern operation room.

- Main structure of operating table is made of high-grade steel.
- Base, column case, accessories rails, and metal accessories are made of stainless steel.
- Stable structure, nice shape, easy to clean
- Convenient and unrestricted access for c-arm x-ray scanning
- Built-in kidney function
- 5 section table top including head plate, back plate, seat plate and leg plates





- The following functions are controlled by cylinder: head section up and down, Trendelenburg and Anti-Trendelenburg, back section up and down.
- Easy to operate, accurate and stable positioning.
- Operation focuses on head without affecting surgery.



- Built-in kidney-bridge can be elevated up to 110 mm.
- Provides the requested view in kidney and gallbladder surgery.



- Optional table movement backward to forward (up to 300mm) provides big enough space for X-ray work.



- Operating table is easy to fix and shift with simple and efficient base-lock system.



- Reserved space for feet in base meets working on operating table while ensuring stability.



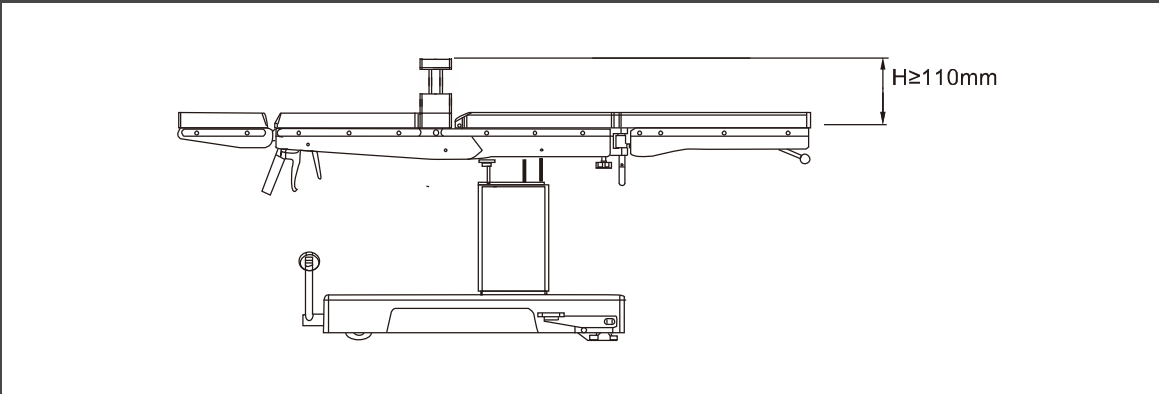
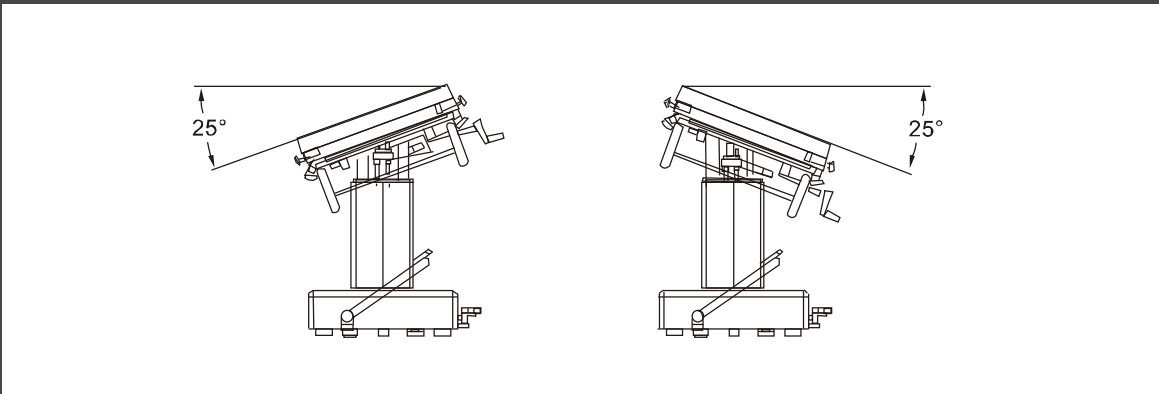
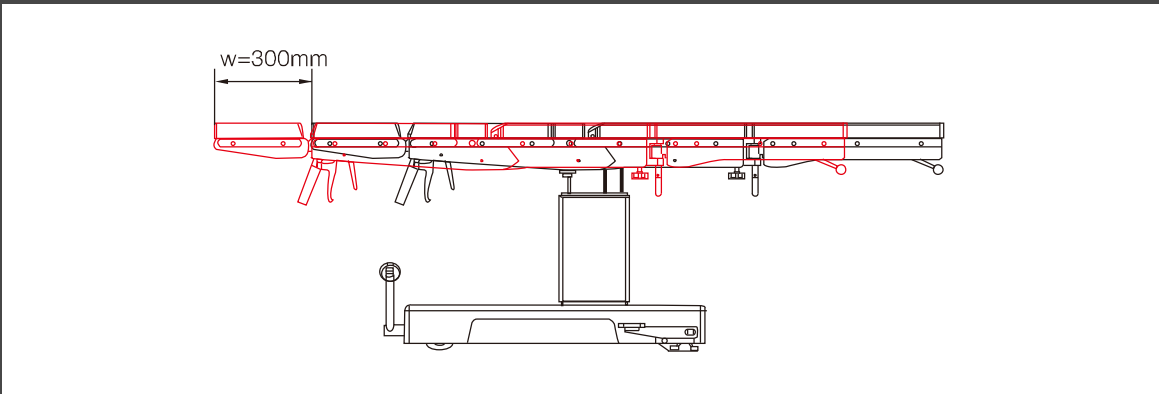
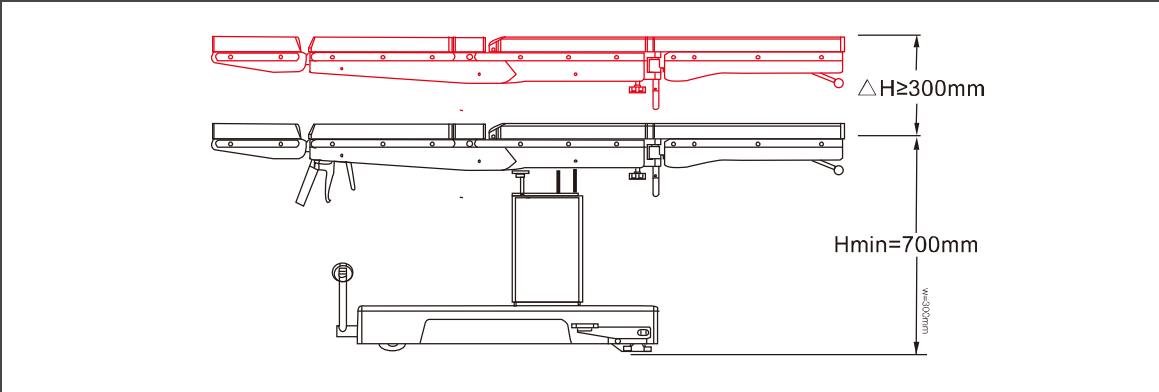
- Operating table up and down controlled by foot-lift pump, an integration structure of oil pump, fuel tank and crank.
- The integrate pump provides high stability of table during up and down operation and excellent carrying capacity.
- Easy to operate, time-saving design.

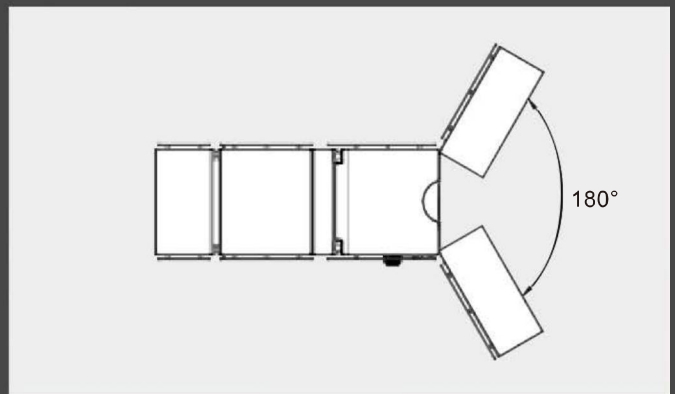
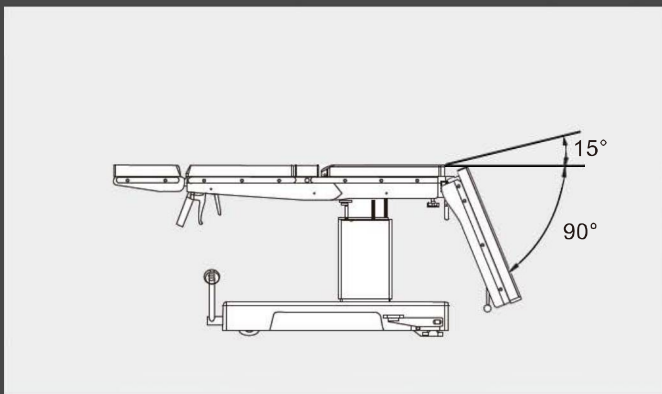
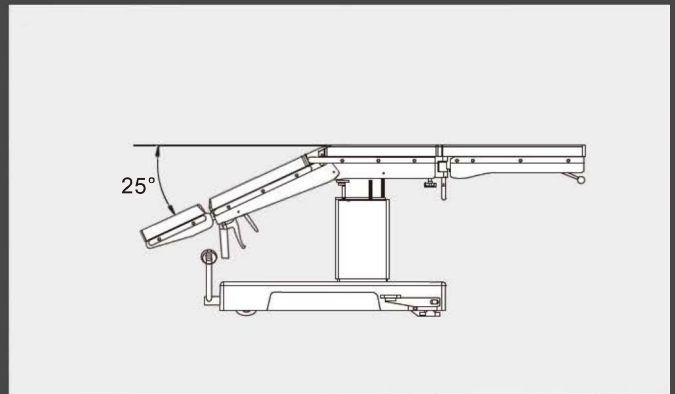
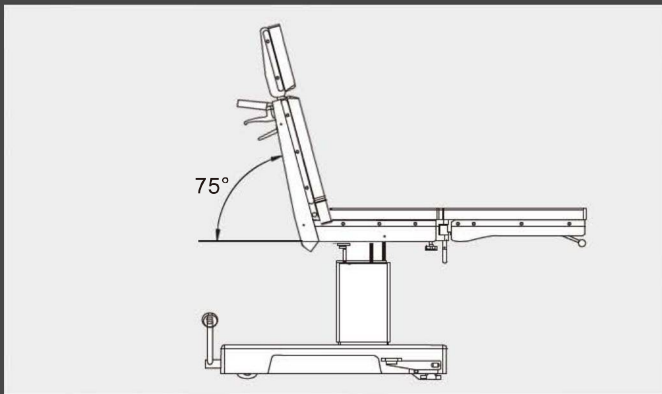
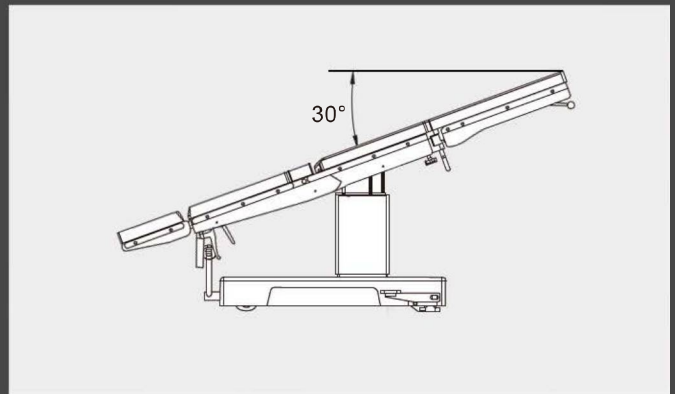
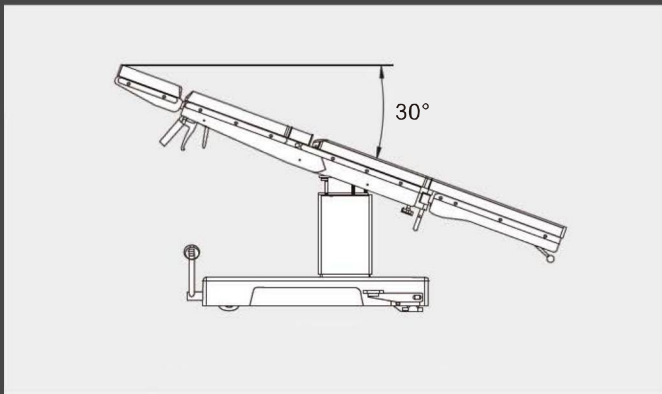
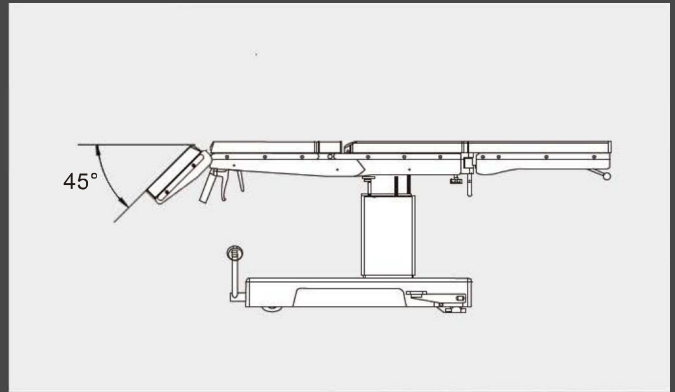
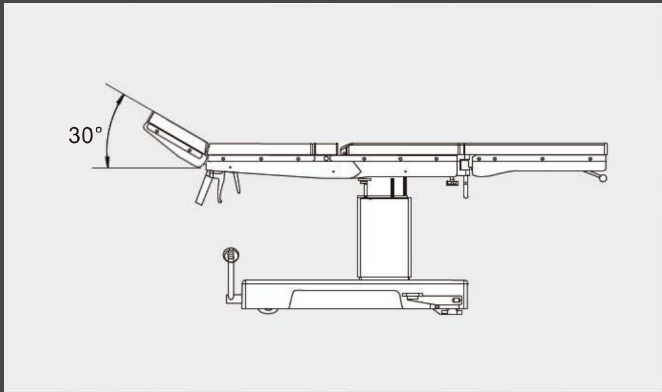


- Built-in X-ray film rail layer meets shoot request for different body parts during surgery.



- Mattress made by high density PU foam is waterproof.
- High elasticity and comfort.
- Removable design, nice shape, easy to clean, excellent perspective of X-ray.







Technical Features

Table-top length	2100mm
Table-Top width (without side rails)	550mm
Table-top elevation (without mattress)	700 -1000mm
Left/right lateral tilt	25°/25°
Trendelenburg/Anti-Trendelenburg	-30°/+30°
Back section up/down	+75°/-25°
Head section up/down (detachable)	+30°/-45°
Leg section up/down (detachable)	+15°/-90°
Max Load	297 kg
Kidney elevator	0~11 cm
Leg Plate Split (detachable)	180°
Movement backward to forward (optional)	300mm

Standard Accessories



**Round-hole clamp +
mattress**



Anesthesia screen



Body strap



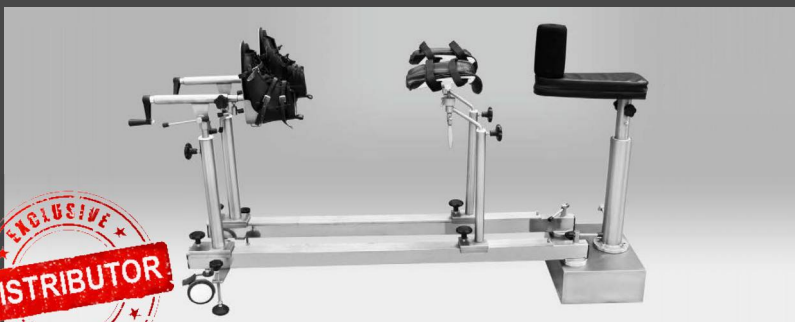
2 x Arm rest



2 x Lateral support



2 x Knee crutch



Optional:

Cod. **EST-100159**
Extension device

For treatment for legs traction, reset
and legs operation.
Not suitable for C-arm.

*For the complete optional accessories list
please, consult the dedicated catalog



Pulse Healthcare Technology
House: 11/1, Shahid Minar Road
Kallyanpur, Dhaka-1216, Bangladesh.
Mobile: +8801708008061
e-mail: info@pht.com.bd
web: www.pht.com.bd



ESSE3 srl, Via Garibaldi 30
14022 Castelnuovo D.B. (AT)
Tel +39 011 99 27 706
Fax +39 011 99 27 506
e-mail: esse3@chierinet.it
web: www.esse3-medical.com

