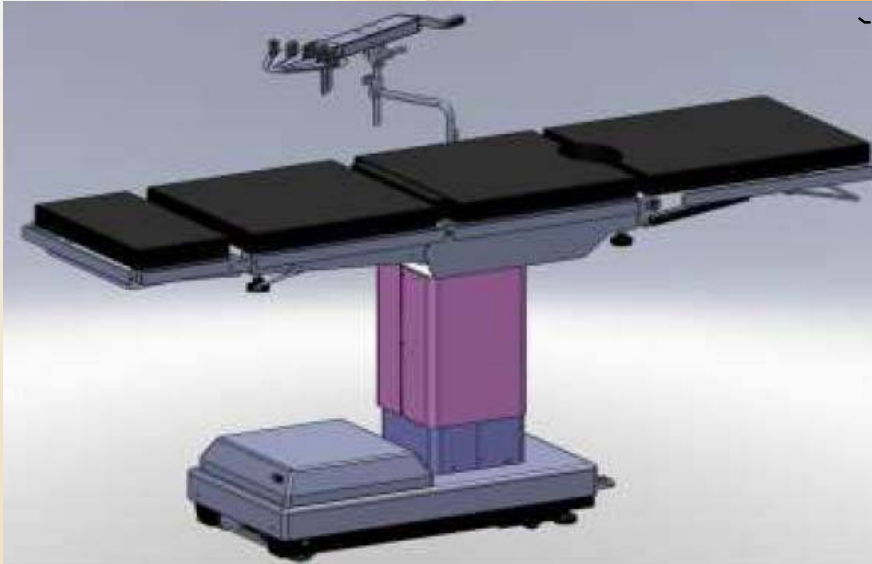




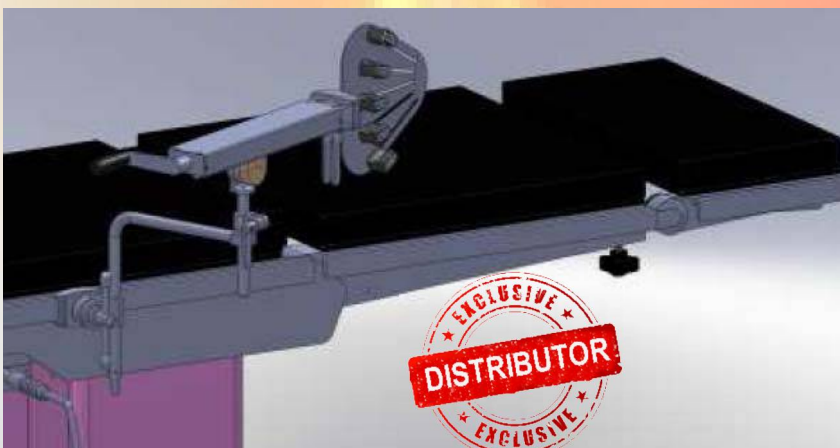
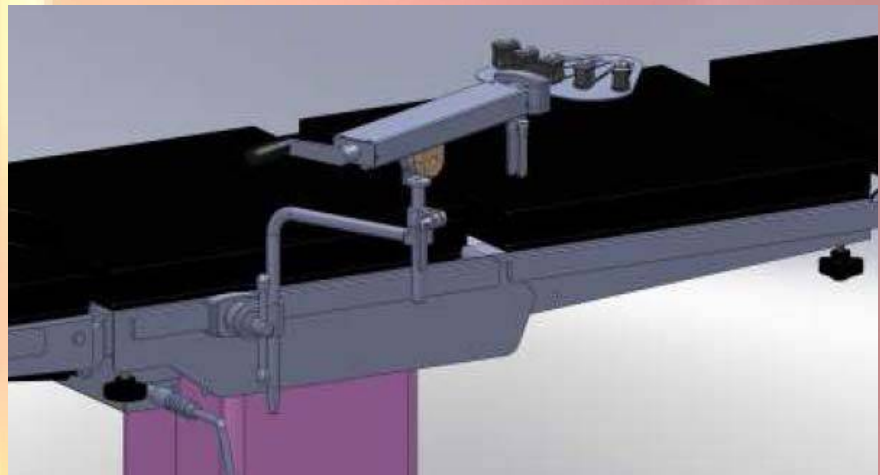
EST-170 ARM EXTENSION DEVICE



ARM EXTENSION DEVICE

INCLUDING

- MULTI-DIRECTIONAL CLAMP
- TRACTION DEVICE
- WEINBERGER HAND TRACTION DEVICE



Pulse Healthcare Technology
House: 11/1, Shahid Minar Road
Kallyanpur, Dhaka-1216, Bangladesh.
Mobile: +8801708008061
e-mail: info@pht.com.bd
web: www.pht.com.bd



ESSE 3 Via Garibaldi 30
14022Castelnuovo D.B. (AT)
tel +39 011 99 27 706
fax +39 011 99 27 506
e-mail esse3@chierinet.it
web : www.esse3-medical.com

