



**ESSE 3 series**

Model: **OL3000T FL LED**



**Specification:**

Magnification:	<b>40X / 1000x</b>	
Eyepiece:	<b>EWF10x/21mm</b>	
Objective:	<b>Plan achromatic</b>	
Head:	<b>Trinocular</b>	
Optical System	UIS	<b>Universal Infinity System</b>
Illumination:	<b>LED</b>	

**Technical Specification**

Trinocular Head (Siedentopf) inclined 30° rotation 360° - Interpupillary distance adjustment range from 48mm/75mm - and dioptre adjustment  $\pm 0.5$ . (for photo/video Application).

Plan achromatic UIS 4x/0.10, 10x/0.25, 20x/0.40, 40x/0.65Spring, 100x/1.25Spring OIL.

Eyepiece EWF10/21mm.

Backward nosepiece four position with precise (click-stop). (the nosepiece revolver is inclined in order to facilitate the introduction of the glass slide).

Double layer Mechanical Stage with Coaxial Control Dimension: 145x165mm Range (X 75mm – Y 50mm).

ABBE condenser UP/DOWN N.A: 1.25with swing in/out attached condensing lens - with Adjustable iris diaphragm.

Focusing system with coaxial coarse/fine focus system, with adjustable tension and limit stopper the minimum readings is 0.002mm.

Type Illumination Koehler. LED illumination system with adjustable intensity.

Switching power supply 100-230 V, 50/60Hz Output: 6 Volt 35W.

Immersion Oil.

User manual

Dust cover

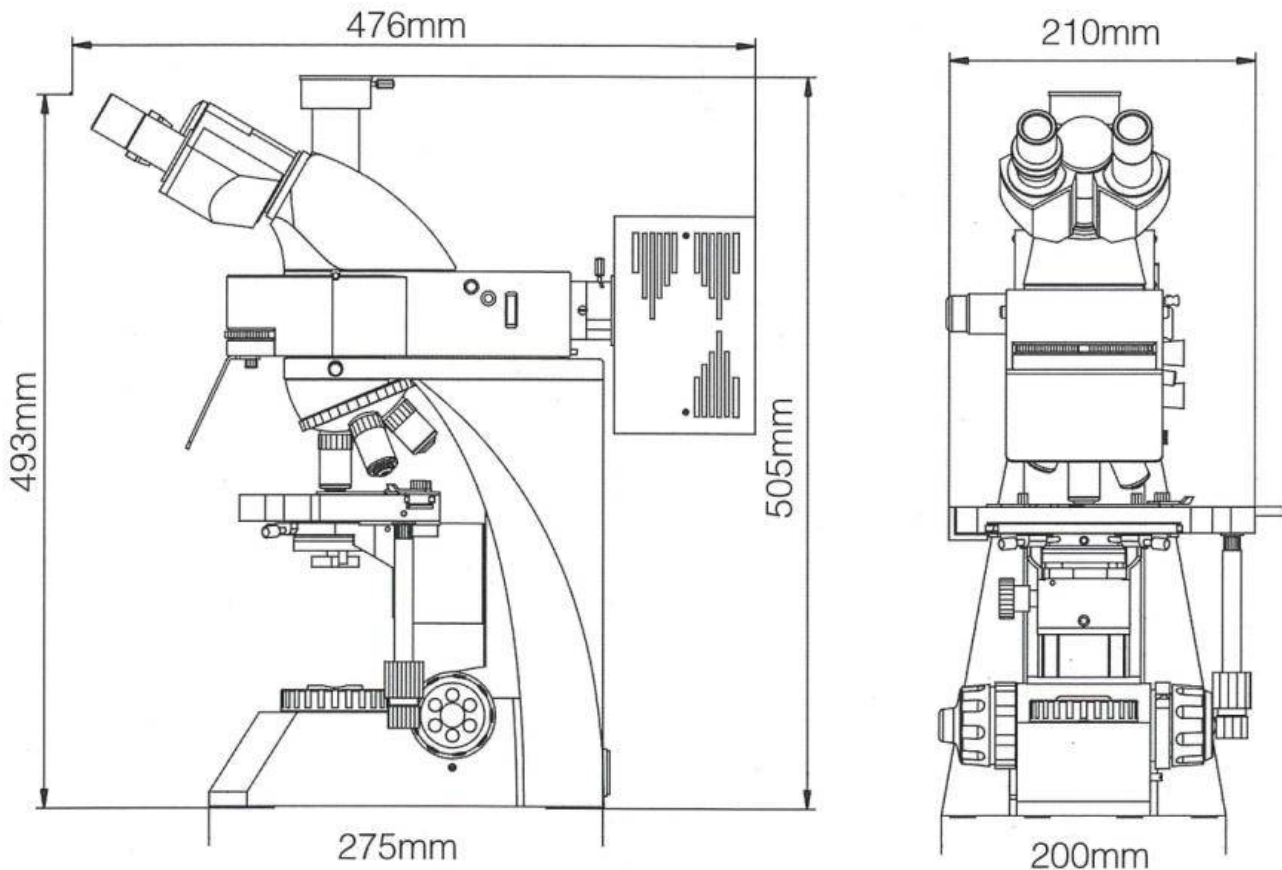


**Pulse Healthcare Technology**  
House: 11/1, Shahid Minar Road  
Kallyanpur, Dhaka-1216, Bangladesh.  
Mobile: +8801708008061  
e-mail: [info@pht.com.bd](mailto:info@pht.com.bd)  
web: [www.pht.com.bd](http://www.pht.com.bd)

## Fluorescence technical specification

- Reflected fluorescence light with LED. With condenser and iris diaphragm.
- Fluorescence filter: **B** blue (420-485µm) - **G** green (460-550µm).
- Protection barrier **UV**.

- Dimension:



Il microscopio è conforme alle direttive europee 89/336/ECC (Marchio di conformità CEE).



**Pulse Healthcare Technology**  
House: 11/1, Shahid Minar Road  
Kallyanpur, Dhaka-1216, Bangladesh.  
Mobile: +8801708008061  
e-mail: [info@pht.com.bd](mailto:info@pht.com.bd)  
web: [www.pht.com.bd](http://www.pht.com.bd)



**ESSE 3** Via Garibaldi 30  
14022Castelnuovo D.B. (AT)  
tel +39 011 99 27 706  
fax +39 011 99 27 506  
e-mail [esse3@chierinet.it](mailto:esse3@chierinet.it)  
web : [www.esse3-medical.com](http://www.esse3-medical.com)

