



EX30 Line

Biological Microscopes



Pulse Healthcare Technology
House: 11/1, Shahid Minar Road
Kallyanpur, Dhaka-1216, Bangladesh.
Mobile: +8801708008061
e-mail: info@pht.com.bd
web: www.pht.com.bd

LABORATORY



EX30 Line

Biological Microscopes



The new Xline microscopes are designed for universities and laboratories. Innovative design that provides stability and image quality.



TRINOCULAR HEAD - Slide for integrated analyzer filter in the microscope stand.



HALOGEN or LED - Possibility to choose the type of lighting, to always have the best quality of images available.
SLIDE LED 3W
SLIDE HALOGEN 6V30W PHILIPS



DARK FIELD - Slide for darkfield, to be included in Abbe condenser. For magnifications from 4X40X.



SYSTEM FOR POLARIZATION - simple to use and composed of two filters, one analyzer to be inserted in its special seat placed in the microscope stand. the polarizer filter is simply placed on the collector of the light and rotated as needed.



PHASE CONTRAST - two systems available for this microscope, the simple system SL1 (PH10X 40X) and SL2 (PH20X 100X).
Or the classic multi disc enlargement system PH 10X 20X 40X 100X.

Technical features

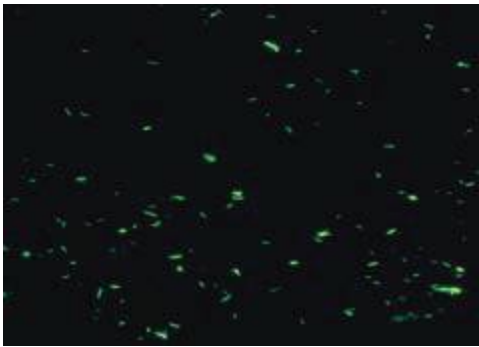
Model	EX30B	EX30T
Inclined Binocular head, 30° and 360° rotating	•	/
Inclined Trinocular head, 30° and 360° rotating	/	•
Interpupillary distance adjustment (50-75mm) and diopter difference (± 5 diottrie)	•	•
Planachromatic eyepieces PL10x22mm with blinders on. Hose \varnothing 30mm	•	•
Optical system "UIS" Universal Infinity System	•	•
Planachromatic UIS objectives 4x/0.10 10x/0.25 40x/0.65 100x/1.25	•	•
Reversed 5-position nosepiece (click-stop).	•	•
Abbe condenser N.A: 1.25 with iris diaphragm. height adjustable via dedicated and centrable command.	•	•
Prepared for applications in phase contrast (PH) and darkfield (DF)	•	•
Specimen table with built-in translator (double layers) and coaxial controls. Dimensions: 150x140mm Range: 76x50mm Accuracy: 0.1mm Opportunity to bring 2 slides.	•	•
Focus system with macrometric (0.2mm) and micrometric (0.002mm) system with knobs on both sides of the stand. Friction system for the focus adjustment. End height travel system to avoid accidental breakage of glass. stroke 30mm	•	•
Sturdy stand entirely made of aluminum. ergonomic rear handle for moving the microscope. stable structure.	•	•
Integrated lighting system into the stand according to the Koehler scheme. light intensity adjustment with ergonomic rheostat located on the stand. centrable system. YOU CAN CHOOSE THE TYPE OF LIGHTING HALOGEN OR LED.	•	•
SLIDE for LED light 3W	○	○
SLIDE for halogen light 6V30W	○	○
Supplied with: Immersion oil. Filter Blue / Green / Yellow spare fuse. Dust cover. Network cable.	•	•
Note: • Standard outfit / not available ○ Optional		

Optional

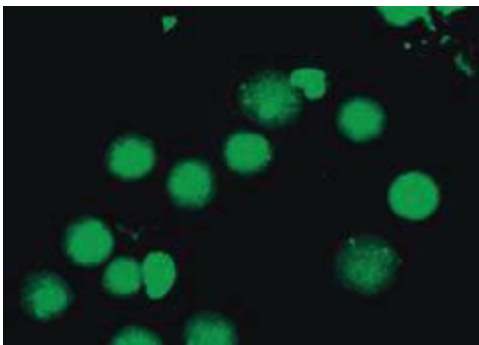
The break through LED fluorescence excitation illumination, stable, low radiation and over-length working life, offer you a fast and professional special diagnostic method.

Innovative EX30 single-band LED fluorescence microscope

EX30 single-band LED fluorescence microscope is designed for special diagnosis such as Tuberculosis. Different filter-LED modules for choice, help you realize different fluorescence observations. Compared with traditional mercury lamp, LED illumination does not need preheat or cooling. It could be lightened immediately, helping improve work efficiency. Stable light, low temperature, low radiation, over-length working life ensure safe use. No need to adjust, the intensity is continuously adjustable. You can obtain the exact fluorescence light according to your needs and habits.



TB test



Immunofluorescence assay



***Optional:** Internal rechargeable battery with charger AC 100/240V



Different LED fluorescence modules

Except for TB test module B4, you could select B1, G1 or UV2 fluorescence module according to different usages. You can also choose several modules and replace them when you need.



Intensity control knob

Rotating the knob, you could adjust fluorescence intensity simply and easily.

Fluorescence illumination with DC power supply

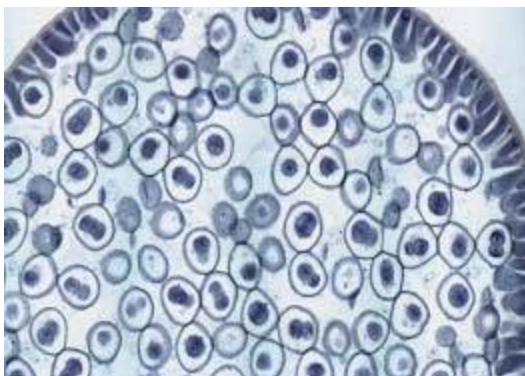
6V/2A direct- current power supply, external transformer. Easy connection and safe use.

Effortless switching from bright-field to fluorescence

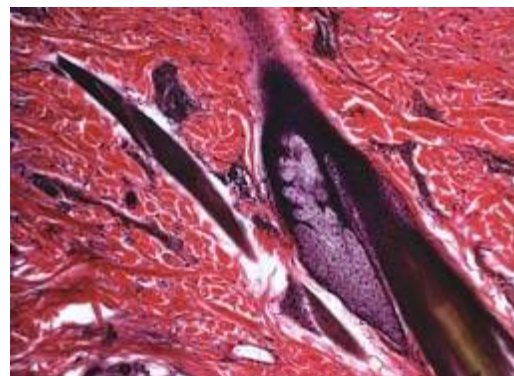
On the basis of practical application, rotating the FL to BF knob, you can achieve two different observations. Switch to the FL channel, you can do TB test fluorescence observation or Immunofluorescence assay. Switch to the BF channel, you can do pathology inspection or experimental observation with transmission light.

Bright-field observation

New plan achromatic objective used with Kohler illumination system can supply the sharp image after adjusting aperture diaphragm and field diaphragm. You can get high resolution and contrast ratio image at low or high magnification. 3W single LED illuminator supplies bright background. According to different demands, it also can install 6V30W halogen bulb, then the lighting effect is the same.



Animal cell division
Bright-field 20X



Hair follicle of human skin
Bright-field 40X



Dark-field observation

Insert the dark-field spill into condenser socket and pull dark-field diaphragm in, then it can fulfill simply dark-field observation. You can observe blood, flagellum, *Treponema pallidum* in dark-field at any times between 4X-40X without special dark-field condenser.



Simply polarizing observation

Using simply polarizing device can detecting urine crystal, gout-joint fluid etc. Just putting polarizer on collector and inserting analyzer into the viewing tube socket then we can fulfill I simply polarizing observation handily.

Model	EX30
Optical system	Infinity corrected Achromatic optical system
Eyepiece	PL10X/20T plan eyepiece 10X with diopter ± 5 adjustable ,field scope 20mm
	PL10X/22T plan eyepiece 10X with diopter ± 5 adjustable, field scope 22mm
Objective	OIP infinity plan achromatic objective 4x.10x.20x.40x.100x
	Infinity phase contrast objectives10X、 20X、 40X、 100X
	Plan Semi-apochromatic fluorescence objectives4X、 10X、 20X、 40X、 100X
Viewing head	30° gemel bioncular,Eyepiece tube can rotate 360° ,interpupillary distance range:50–75mm
	30° gemel trinocular,Eyepiece tube can rotate 360° ,interpupillary distance range:50–75mm, fixed spectroscopical ratio R:T=8:2
	30° gemel fluorescent trinocular head,Eyepiece tube can rotate 360° ,interpupillary distance range:50–75mm, fixed spectroscopical ratio R:T=5:5
	30° gemel digital head (three / five megapixels)
Filter	Fluorescence filter:B1/B4/G1/V1/UV1/UV2
Nosepiece	Reversed quintuple nosepiece
	Reversed quadruple nosepiece
Stage	150x140mm mechanical stage with underhand, 76X50mm moving range, precision 0.1mm,damping clips
Condenser	N.A.1.25 Koehler illuminator condenser group (with socket for phase contrast , dark-field device)
Focus adjustment	Coarse focusing scope is 30mm, with tightness adjustment and place limit set, fine adjustment precision: 0.002mm
Reflection illumination system	LED reflection illumination, single-band filter with corresponding LED module inside, intensity adjust knob, BF/FL switching knob
	Mercury lamp reflection illumination,100W DC mercury bulb (OSRAM/domestic)
Transmission illumination system	100V–240V fluctuate of voltage,Single high brightness 3W LED (predetermine filament center),adjustment of brightness
	100V–240V fluctuate of voltage,Philips 6V/30W halogen lamp (pre-set filament center), adjustment of brightness
CCD Adapter	1xCTV,0.5xCTV,0.35xCTV,3.2x photo ocular, photo tube (with PK mount or MD mount), C-mount, relay lens
Other accessories	Dark-field accessories, phase contrast accessories, polarizer/analyzer

Objectives:

LPLAN plan infinity achromatic objectives,

designed for laboratory pathology and observation of biological cells slices, clear image, good contrast, and good performance under fluorescence observation.



PLAN-PH series infinity phase contrast objectives.

In addition to the realization of the bright field observation, the phase contrast observation function has been developed. they especially suit colorless or undertone cells.



PLAN-FLUOR plan semi-apochromatic fluorescence objectives.

Adopting crystal optics materials, various types of chromatic aberration corrected perfectly and large numerical aperture design, provide you high-resolution, high-contrast microscopic images. While doing Fluorescence observation, the images is clear and bright, the background is pure black. In the aspect of UV fluorescence, which has more prominent performance, is the best choice for your fluorescence observation on all kinds of cells and pathological sections.



CCD Cameras:



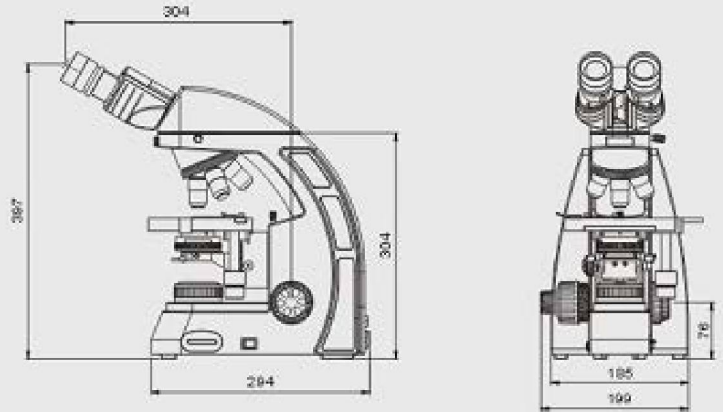
Model	MD6iS
Resolution	6 MP USB / 2.0 MP HDMI
Preview Resolution	1920 X 1080
Capture Resolution	3264 X 1840
Frame rate USB	1920 x 1080 30fps via USB2.0
Frame rate HDMI	1920 x 1080 60fps via HDMI
Tempo Esposizione	0.001s-10s
Image capture	High speed SD card (8G)
Video recorder	1080p 30fps @ SD Card 1080 30fps @ PC
Power supply	DC 12V/2A
Optical port	C-Mount



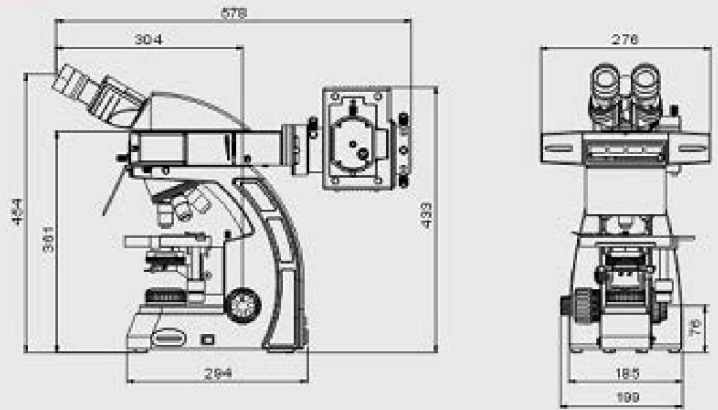
Model	MDH5
Resolution	5 MP USB / 2.0 MP HDMI
Preview Resolution	1920 X 1080
Capture Resolution	2592 X 1944
Frame rate USB	1920 x 1080 15fps via USB2.0
Frame rate HDMI	1920 x 1080 15fps via HDMI
Tempo Esposizione	0.001sec-10sec
Image capture	High speed SD card (4G)
Video recorder	1080p 15fps @ SD Card 1080 15fps @ PC
Power supply	DC 12V/2A
Optical port:	C-Mount



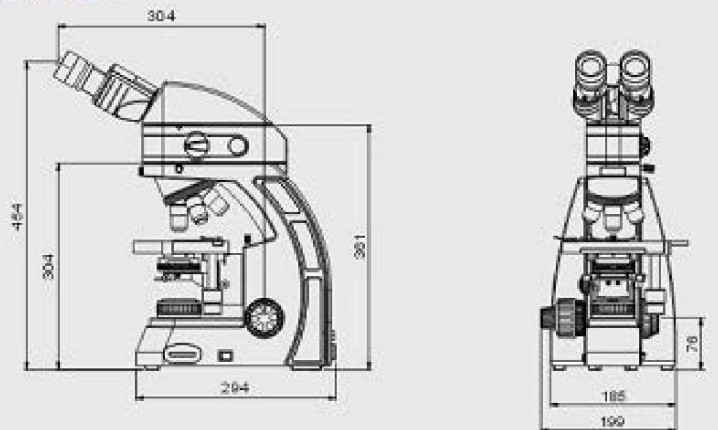
EX30 normal dimensions: mm



EX30- fluorescent dimensions: mm



EX30-LED fluorescent dimensions: mm



Pulse Healthcare Technology
 House: 11/1, Shahid Minar Road
 Kallyanpur, Dhaka-1216, Bangladesh.
 Mobile: +8801708008061
 e-mail: info@pht.com.bd
 web: www.pht.com.bd



ESSE3 srl, Via Garibaldi 30
 14022 Castelnuovo D.B. (AT)
 Tel +39 011 99 27 706
 Fax +39 011 99 27 506
 e-mail esse3@chierinet.it
 web: www.esse3-medical.com

