



EST-XD2E

Universal Electric Operating Table



Pulse Healthcare Technology

House: 11/1, Shahid Minar Road
Kallyanpur, Dhaka-1216, Bangladesh.
Mobile: +8801708008061
e-mail: info@pht.com.bd
web: www.pht.com.bd



OPERATING THEATRE



EST-XD2E

Universal Electric Operating Table



Cod. **EST-XTD2E**
Standard surgical table

Cod. **EST-XTD2EZ**
Standard table with Zero function

Cod. **EST-XTD2ESZ**
Standard table with Zero function
and adjust. height 700~1100mm



Good Performance

Standard

Our standard pad is made from soft padded stable polyurethane foam with a thickness of 50 mm. Single piece, no seams, washable and antistatic.

Cod. **EST-120001**

Optional

In order to prevent decubitus, a further memory pad version is available to the user:

Memoline: visco-elastic foam, antistatic, it adapts to the patient's body contours particularly well and reduces the pressure at the various pressure points.

Cod. **EST-120002**



Full table radiolucent plate for X-ray and C-arm purpose

Kidney bridge up



Display

Backlit display indicating status information, e.g. currently chosen position, and status of battery charging, it also ensures a safe and easy handling even in the dark operation room.



Additional control at the bottom with backlit.



Optional footswitch (3 commands)

- Up and down
- Lateral tilt
- Trendelenburg and anti-Trendelenburg

Cod. EST-FPS-3



X-ray cassette tunnel

for all the table length, head excluded



Stainless steel inlay plates



Diam 125mm castors with locking, universal castors



Diam 125mm castors, directional castors



Positions



1 - Gynaecology



6 - Neurosurgery
in beach chair position



2 - Gynaecology/Delivery



7 - Neurosurgery



3 - Endoscope Application



8 - ENT/Neurosurgery



4 - Endoscope Application



9 - General Surgery



5 - Neurosurgery



10 - Spinal Surgery



Positions



11 - Kidney position



16 - Knee Arthroscopy



12 - General position
(table top movement for C-arm)



17 - Hand surgery



13 - Urology/TUR



18 - Upper Limb Trauma



14 - Gynaecology/Delivery



19 - Fractures of the neck of femur



15 - Rectal Surgery



20 - Tibial Shaft Fracture

Optional General Accessories



1

1) Cod. **EST-100001**
Head Plate

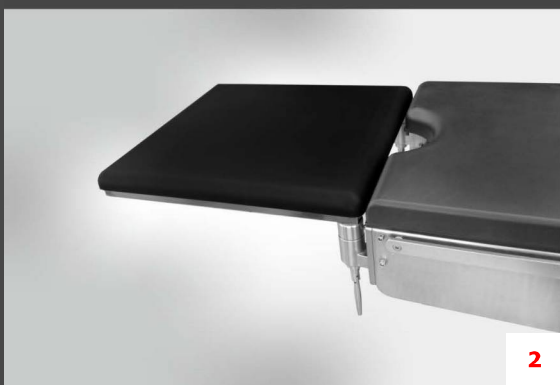
(one included as standard).
Detachable, integrated gas spring for weight compensation, adjustable angle for patient comfort



1

2) Cod. **EST-100002**
Gynaecology delivery table/Leg section

Detachable, for gynaecology surgery, delivery, to give a support to doctors during dystocia.
One section type.



2

3) Cod. **EST-100003**
Leg Section

(one included as standard).
Detachable, split type, foldable up-down by electromotor.



3

Optional General Accessories



1



4

1) Cod. EST-100100

Arm rest

Integral poly pad, antistatic, 450mm long with attached clamp, horizontal and vertical adjustment, tiltable by socket joint.
(a pair of armrests are included as standard)

+

Cod. EST-100101

Arm/Leg belts

A pair of velcro strap belts as optional



2



5

2) Cod. EST-100102

Wristlet

With clamp, washable and exchangeable, textile velcro belt

3) Cod. EST-100103

Infusion pole

Upper section with 4 hooks, attachment clamp with socket joint



3



6

4) Cod. EST-100104

Body restraint belt

Washable velcro body belt

5) Cod. EST-100105

Leg restraint belt

Washable velcro belt for leg fixation, suitable for leg section



7

6) Cod. EST-100106

Wristlet

For attachment to anaesthesia frame EST-100107.
Washable and exchangeable textile velcro belt with attachment

7) Cod. EST-100107

Anaesthesia frame

With twist protection, adjustable height, lateral adjustment to make the frame to one side, with fixing clamps



8

8) Cod. EST-100108

Anaesthesia frame

With twist protection, adjustable height, with two fixing clamps



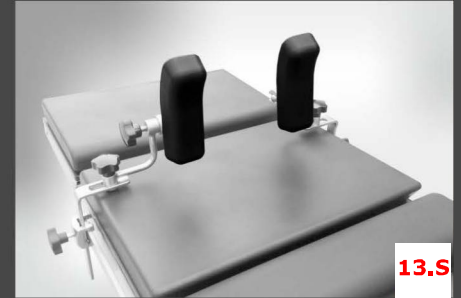
Optional General Accessories



9



11



13.S



10



12



13.L

9) Cod. **EST-100109**

Fixing clamp

For codes :

EST-100108 Anesthesia frame
EST-100113.S/113.L Lateral support
EST-100116 Foot/knee rest
EST-100118 Arm protector

12) Cod. **EST-100112**

Fixing clamp

Hexagon hole, lateral angle adjust.,
prevent the insertion pole rotation,
For code:

EST-100132 Countertraction post

10) Cod. **EST-100110**

Fixing clamp

Round hole, Ø14mm,
no-lateral angle adjustment.

For codes :

EST-100100 Armrest
EST-100103 Infusion pole
EST-100106 Wristlet
EST-100107 Anesthesia frame
EST-100119 Instrument tray
EST-100121 Instrument tray
EST-100122 Tube holder
EST-100130 Arm/hand board
EST-100131 Arm/hand board
EST-100161 Cross bar attach.

13.S) Cod. **EST-100113.S**

Shoulder support

Poly antistatic pad, width, lateral,
angle and height are adjustable.
Multifunctional pad 190x60mm



13.1

13.L) Cod. **EST-100113.L**

Lateral support

Poly antistatic pad, width, lateral,
angle and height are adjustable.
Multifunctional pad 190x60mm

13.1) Cod. **EST-100113.1**

Multifunction support

Width, lateral, angle and height
are adjustable.



13.2

11) Cod. **EST-100111**

Fixing clamp

Round hole, Ø14mm,
lateral angle adjustment.

For codes :

EST-100117 Leg holder
EST-100136 Knee pos. Device
EST-100137 Rectal support
EST-100164 Elbow holder
EST-100181 Leg support
EST-100182 Leg support

13.2) Cod. **EST-100113.2**

Pubis/sacrum/ sternum support

(Figure 2) 85x85 mm

Covered foam pad, antistatic

+

Cod. **EST-100113.3**

Pubis/sacrum/ sternum support

(Figure 3) 200x120 mm

Covered foam pad, antistatic



13.3

13.3) Cod. **EST-100260**

Stainless steel lateral support

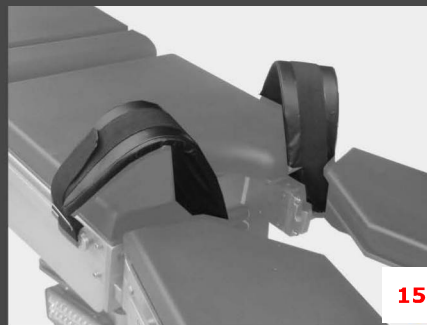
Optional General Accessories



14

14) Cod. **EST-100114**
Accessories rack

Stainless steel square-section tubular frame with rails for attachment of accessories and 1 basket, antistatic castors with lock



15

15) Cod. **EST-100115**
Leg restraint straps

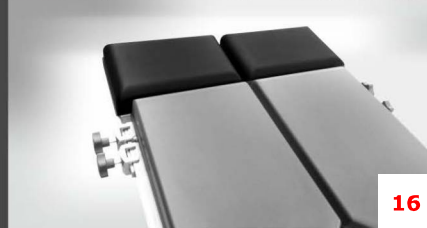
1 pair, with pads, for split leg section, incl. clamps to attach to side rails



16

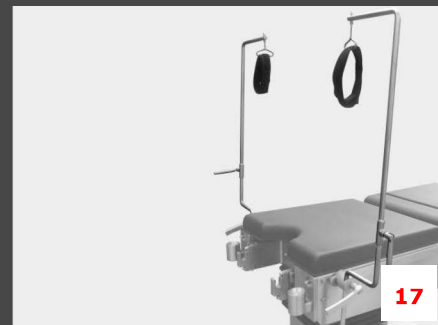
16) Cod. **EST-100116**
Foot/knee rests

(1 included as standard) Attached on the sides by fixing clamps, can be folded down to serve as the table-top extension, 300x215 mm (WxD)



17) Cod. **EST-100117**
Leg holder (lithotomy)

1 pair, with removable loops made of washable textile straps. Height & lateral adjustment. It requires fixing clamp EST-100111



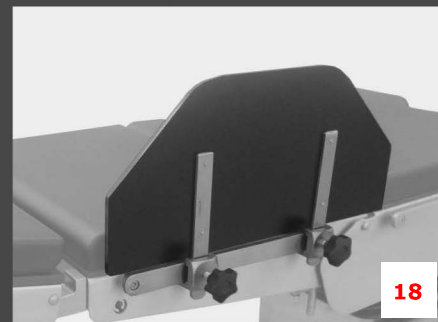
17

18) Cod. **EST-100118**
Arm protector

It requires fixing clamp EST-100109

19) Cod. **EST-100119**
Instrument tray

Adjustable height, it requires fixing clamp EST-100110
Tray size: 400x300 mm
Max Load: 6 kg



18

20) Cod. **EST-100120**
Instrument tray

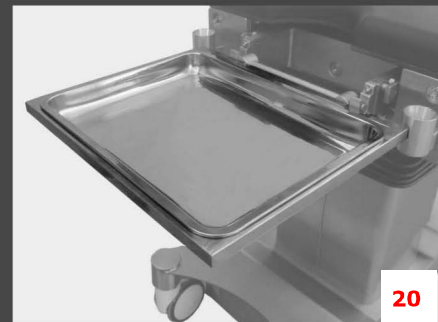
Mounted on the hooks of the table (without leg section)
Tray size: 450x330 mm
Max Load: 6 kg



19

21) Cod. **EST-100121**
Instrument tray

Height and lateral adjustment, it requires fixing clamp EST-100110
Tray size: 450x330 mm
Max Load: 6 kg



20

22) Cod. **EST-100122**
Tube holder

(no pictures), for secure positioning of monitor cables



21



Accessories for orthopaedics, traumatology, spinal surgery and orthopaedic extension



1



5



2



6



3



4



7

1) Cod. **EST-100130**

Arm/hand operating board

Radiolucent board with covered antistatic foam pad, with double-layer design suitable to X-ray. X-ray cassette holder can be placed underneath. 700x300 mm (WxD)

2) Cod. **EST-100131**

Arm/hand operating board

Radiolucent board with covered antistatic foam pad, ergonomic shape for optimal access to the surgical field, suitable to C-arm 600x440 (WxD)

3) Cod. **EST-100132**

Countertraction post for upper arm

Poly pad, max. load : 12kg, requires attachment clamp EST-101112

4) Cod. **EST-100133**

Humerus traction device

+

Cod. **EST-100134**

Weiberger traction device

For hand and finger positioning and traction, hand plate and finger holder of plastic material, to be attached to upper arm positioning device suitable for C-arm, max. load 30kg

5) Cod. **EST-100135**

Cushion

For intervertebral disc operations, also as protection for the chest, reducing pressure, keeping good respiratory and circulatory functions in the cervical and lumbar spinal surgery. 630x460x130 (WxDxH)

6) Cod. **EST-100136**

Knee positioning device

Manual adjustment, with gel pad and fastening strap. Side rail attachment (requires attachment clamp EST-100111) Max. load 25kg

7) Cod. **EST-100137**

Rectal (abdomen) positioning support

Combined with EST-100116 for spinal surgery, rectal surgery, covered with antistatic poly pad, with height and lateral adjustment

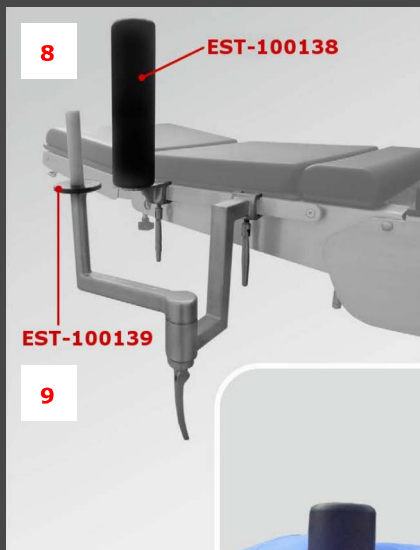
+

Cod. **EST-100116**

Foot/knee rests

(1 included as standard) Attached on the sides by fixing clamps, can be folded down to serve as the table-top extension, 300x215 mm (WxD)

Accessories for orthopaedics, traumatology, spinal surgery and orthopaedic extension



8) Cod. **EST-100138**

Axilla support

Padded, radiolucent with countertraction post, including clamps.

9) Cod. **EST-100139**

Elbow support

Swivelling via eccentric lever joint, including clamps. Recommended to use with EST-100133 & EST-100134 humerus traction and Weiberger traction device.



10) Cod. **EST-100140**

Shoulder surgery device

Self-operated type by use power of surgical table itself, placed instead of legsection, it is only compatible to the EST-XD2E. It includes also a head support (EST-100141) and an actuator (EST-100142)

Cod. **EST-100141**

Head support

For the shoulder surgery device.

Cod. **EST-100142**

Actuator

For the shoulder surgery device.



Extension device



1



2



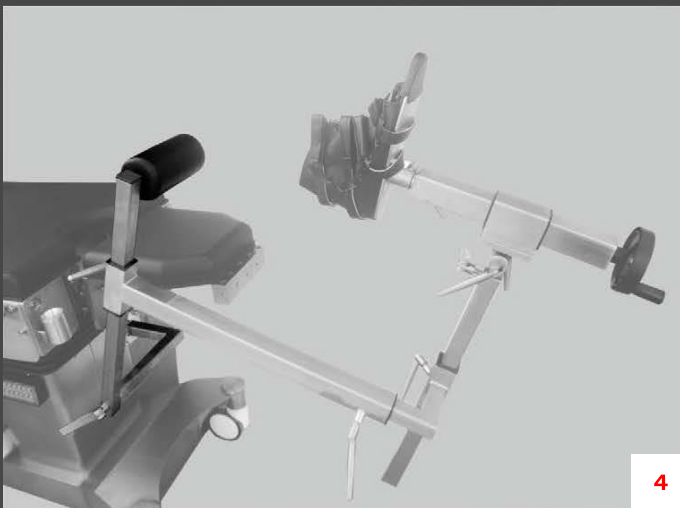
3



1



5



4

- Unobstructed access to the lower limbs for C-arm image intensifier and complete transillumination of the two axes, no any blind area for C-arm application
- Well-devised accessories for comfortable and precise positioning of the patient
- Including trolley, two supporting bars and EST-100151, EST-100152, EST-100154 and EST-100155(2 pieces)

1) Cod. EST-100150

Sacro post extension device

For treatment of all kinds of lower limb fractures.

Main features:

- Fast, simple and secure attaching to the operating table.
- Modular structure for an optimal range of application

2) Cod. EST-100151

Positioning board

For extension device positioning

3) Cod. EST-100152

Sacro post

(countertraction post for femur)

For surgery with the patient in lateral position

4) Cod. EST-100153

Tibia/fibula countertraction post

Countertraction post for tibia and fibula with radiolucent padded roll, height and inclinable adjustment for attachment to extension device EST-100150

5) Cod. EST-100154

Pelvis cast

The carbon-fiber countertraction post can be laterally moved

Extension device

6) Cod. **EST-100155**

Adult Foot rest

Extension part, shoe holder with adult shoe (1 pc).
Optional shoe for children
cod. EST-100155C (1 pc)

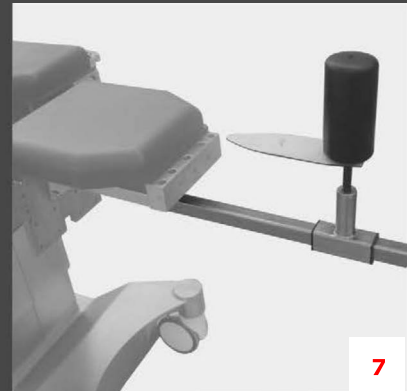


6

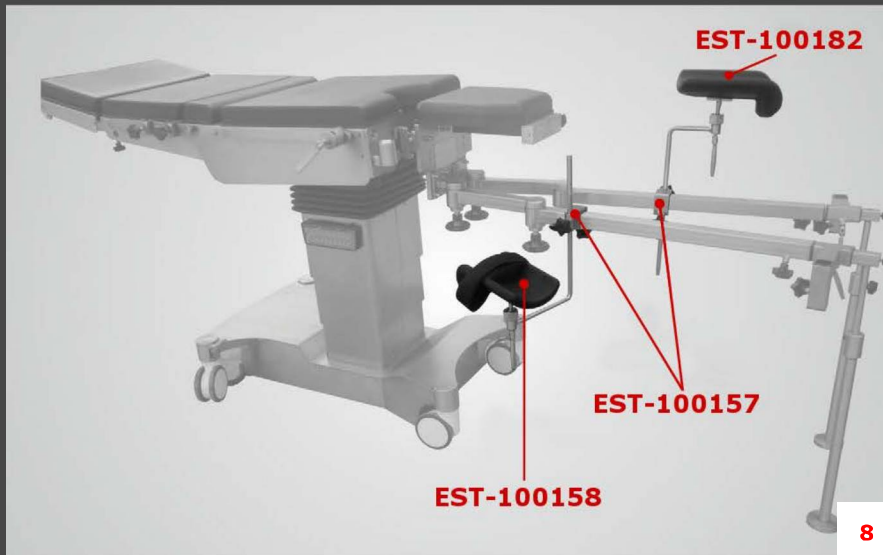
7) Cod. **EST-100156**

Pelvis support

Pelvis plaster adapter with pelvis support, with removable pelvis rest, adult as standard.
Optional for children cod. EST-100156C



7



8) Cod. **EST-100157**

Fixing clamp

Only for EST-100158 and EST-100182 leg rests for EST-100150 extension device

8) Cod. **EST-100158**

Lower leg rests

Optional pair of velcro strap belts EST-100101

8) Cod. **EST-100182**

Upper leg rests

(a pair included as standard)
Optional pair of velcro strap belts EST-100101

8

9) Cod. **EST-100159**

Extension device

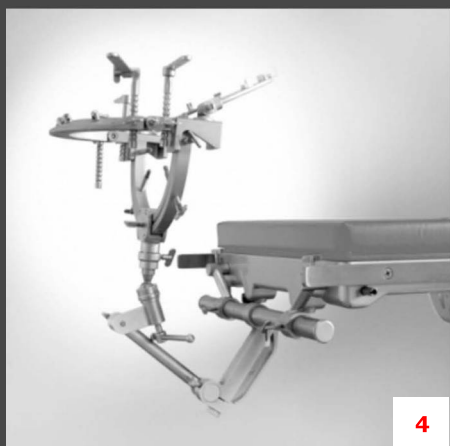
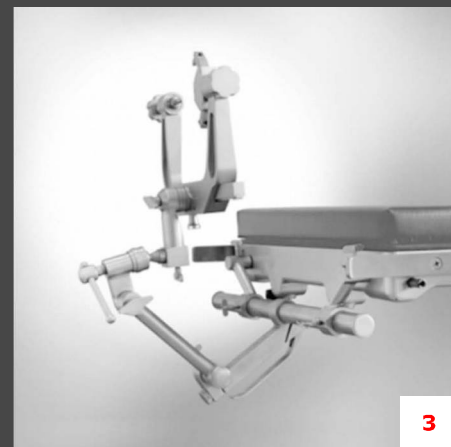
For treatment for legs traction, reset and legs operation.
Not suitable for C-arm.



9



Accessories for neurosurgery



1) Cod. EST-100160

Head rest

1-section, pad head rest, optimal pressure distribution in prone and supine position. Max. load 15 kg

2) Cod. EST-100161

Cross bar attachment

Stainless steel, for seated positioning in neurosurgery, adjustment for different table widths. It requires two clamps EST-101110

3) Cod. EST-100162

Head skull clamp

For a secure and stable 3-point fixation of patient's head in supine, prone, lateral or sitting position. With 3 pins for adults.

4) Cod. EST-100163

Brain retractor system

Unobstructed access to the surgical field. An open ring is crucial for the skull base applications. Recommended for posterior fossa. Mini J-arm allows vertical and horizontal movements

5) Cod. EST-100164

Elbow holders

1 pair. For ENT and plastic surgery. Height and lateral adjustable, it requires fixing clamp EST-100111 and EST-100160 head rest.

Accessories for gynaecology and urology



1



4

1) Cod. EST-100180

Leg Support

1 Pair. Adjustable height and swivelling from the foot end, servo-assisted, plastic support with gel pad for foot and lower leg, adjustable to all directions. Special attachment clamps already included.

2) Cod. EST-100181

Feet Support

1 Pair. Specially designed for gynaecology use during the inspection, operation and delivery. It requires attachment clamp EST-100111



5

3) Cod. EST-100182

Leg Support

(1 Pair included as standard). 1 Pair. Integral polypad, antistatic, stainless steel. It requires attachment clamp EST-100111. Optional pair of velcro strap belts EST-100101



2

4) Cod. EST-100183

Handle

1 Pair. For women grasping during inspection and delivery.

5) Cod. EST-100002

Gyn aiding table/leg section

Detachable, for gynaecology surgery, delivery, giving support to doctors during dystocia. One section type.



3

6) Cod. EST-100185.1

Liquid collection basin without drain

Made of stainless steel. Attachment to table column, Basin size 330x265x150 mm (WxDxH)

Cod. EST-100185.2

Liquid collection basin with drain

Made of stainless steel, with drainage tube. Attachment to table Attachment to table column, with outlet and plastic tube. Basin size 330x265x150 mm (WxDxH)

Cod. EST-100185.B

Waste bucket 20L

Made of stainless steel

Cod. EST-100185.T

Mobile waste bucket 20L

Made of stainless steel, on casters



6



Positioning aids



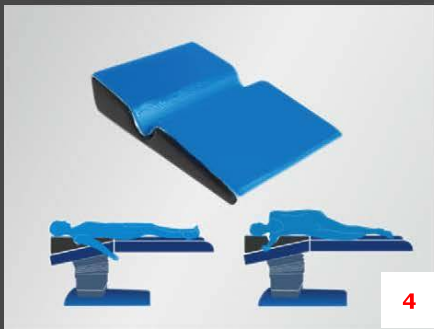
1



2



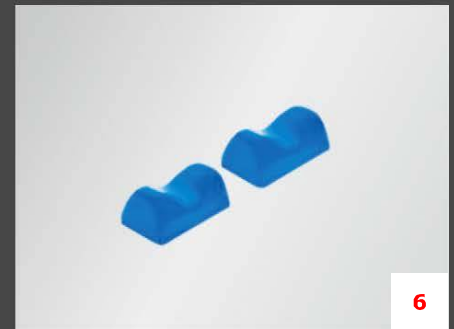
3



4



5



6

1) Cod. **EST-101001**

Adult gel head rest for prone position

Adult size, anatomically designed to maintain the patient's head in a comfortable face down position. Output for ET tubes on both sides. Size 280x240x140mm (WxDxH)

Cod. EST-101002

Pediatric gel head rest for prone position

Pediatric size, anatomically designed to maintain the patient's head in a comfortable face down position. Output for ET tubes on both sides. Size 250x200x100mm (WxDxH)

2) Cod. **EST-101003**

Adult gel head ring for supine position

Adult size, closed type, it protects head and ears during surgery in supine position. Size 200x50mm

Cod. EST-101004

Pediatric gel head ring for supine position

Pediatric size, closed type, it protects head and ears during surgery in supine position. Size 140x30mm

3) Cod. **EST-101005**

Adult gel head open ring for lateral position

Adult size, open type, it provides stability and protection to the patient's face during surgery in lateral position. Size 200x55mm

Cod. EST-101006

Pediatric gel head open ring for lateral position

Adult size, open type, it provides stability and protection to the patient's face during surgery in lateral position. Size 140x35mm

4) Cod. **EST-101007**

Gel pad for lateral positioning

For safe lateral position, to relieve pressure on the shoulder joint and protect the nerve tracts, for surgical interventions on the hip, on the shoulder or on the kidney. Size 700x500x160mm (WxDxH)

5) Cod. **EST-101008**

Thyroid gland positioning pad

Designed to protect and support neck in the thyroid and neck surgery, the pad aids to fully extend operation vision field for surgeons. Size 480x390x90mm (WxDxH)

6) Cod. **EST-101009**

Gel heel pads

1 Pair. To support the Achilles area and relieve the pressure on the patients heels during lengthy surgical procedures. Size 180x100x70 mm (WxDxH)

Positioning aids



7

7) Cod. **EST-101110**

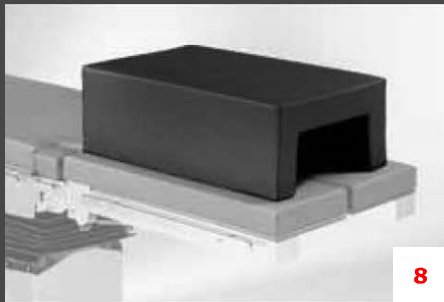
Full body pad

Full body pad set to relieve patient pressure during the operation

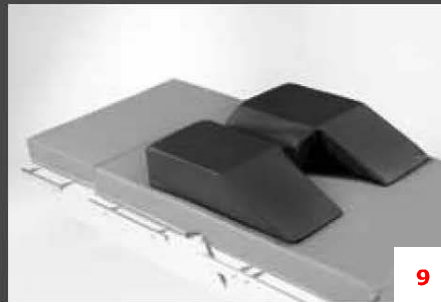
8) Cod. **EST-101111**

Tunnel cushion

For lateral patient positioning, to prevent the risk of positioning damage to the patient's legs. Antistatic, covered pad with special foam core of 70mm thickness. Size 650x400x220mm (WxDxH)



8



9

9) Cod. **EST-101112**

Double wedge pad

For suspine patient positioning, designed to prevent brachial plexus paralysis and to stabilize the head. Size 440x500x100 mm (WxDxH)



10

10) Cod. **EST-101113**

Cushion

Antistatic covered poly pad. Size 130x504x504mm (WxDxH)

11) Cod. **EST-101114**

Intervertebral disk pad

Radiotransparent for intervertebral disk operations. Special foam with cover. Abdominal opening 270x240mm. Size 640x420x100mm (WxDxH)



11

12) Cod. **EST-101115**

Intervertebral disk pad

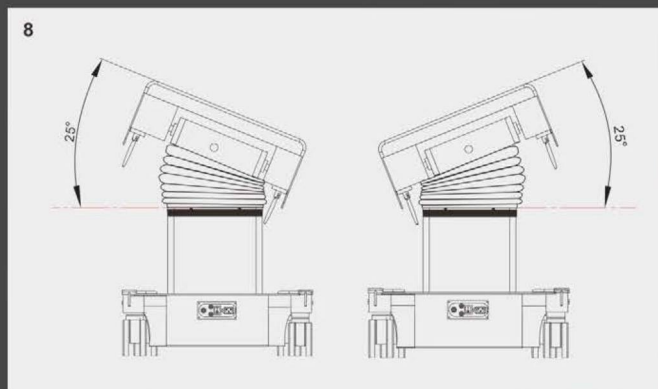
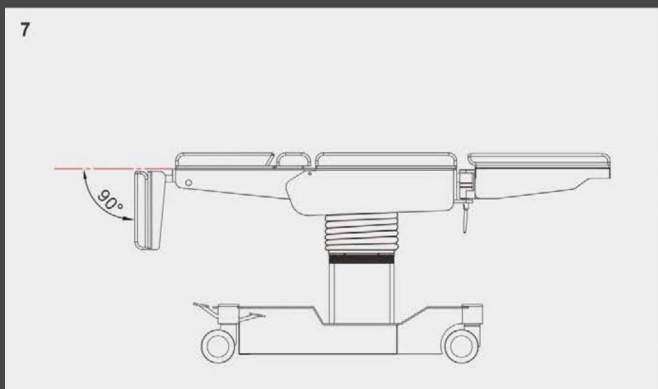
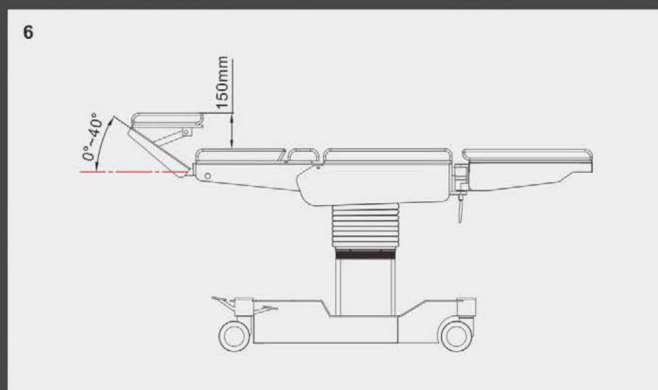
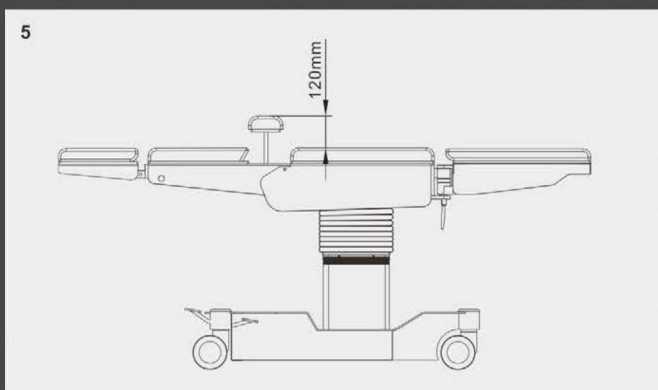
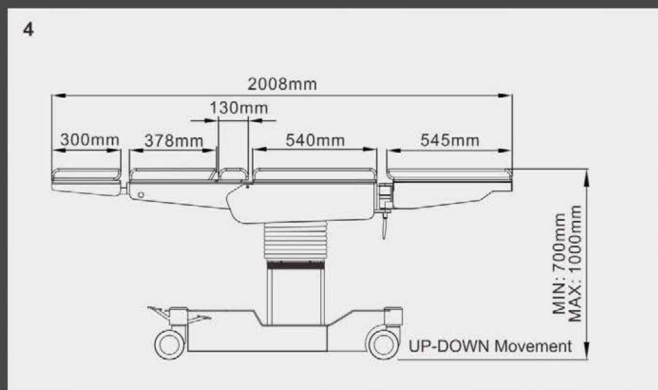
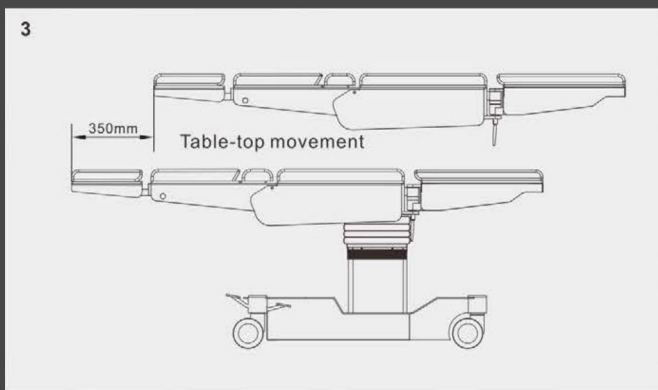
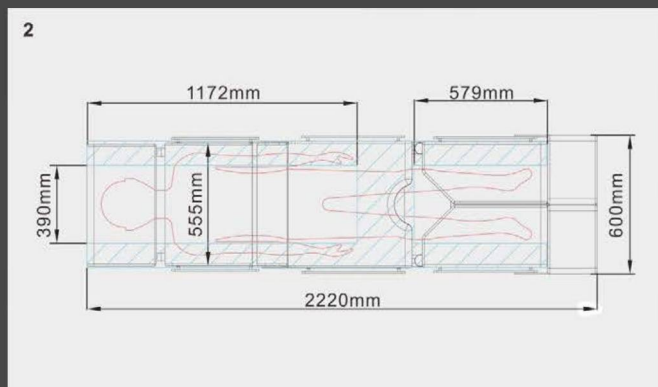
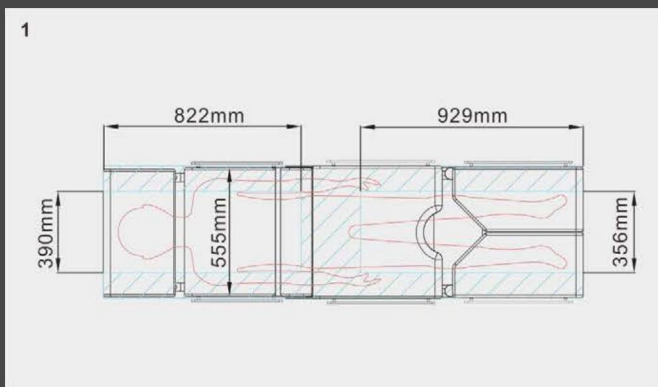
For intervertebral disk operations. To put the patient in prone position.



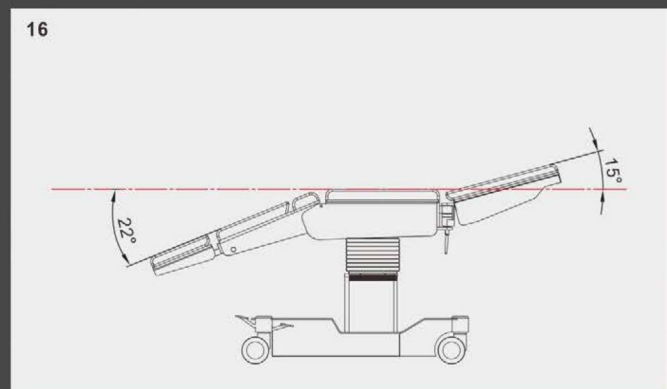
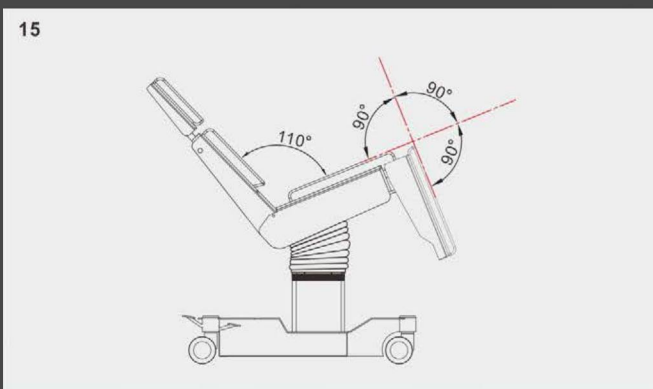
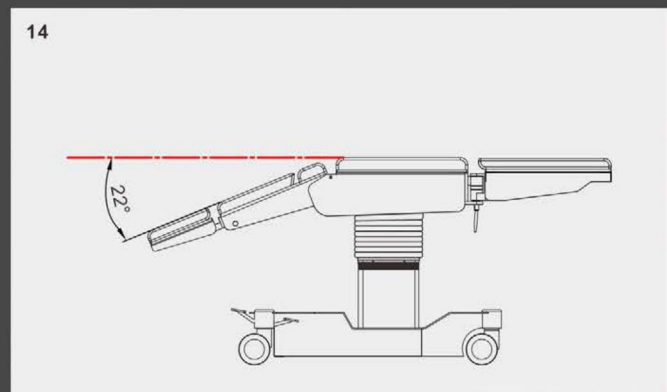
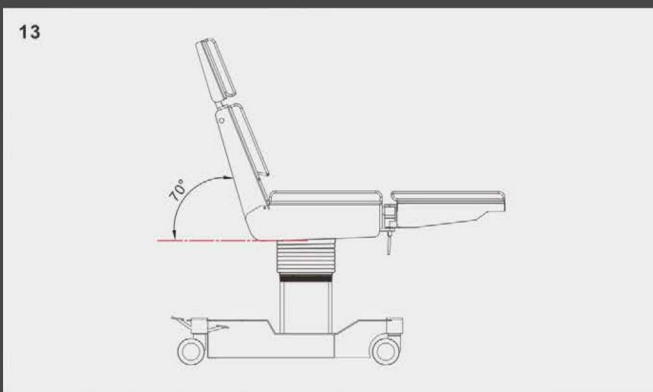
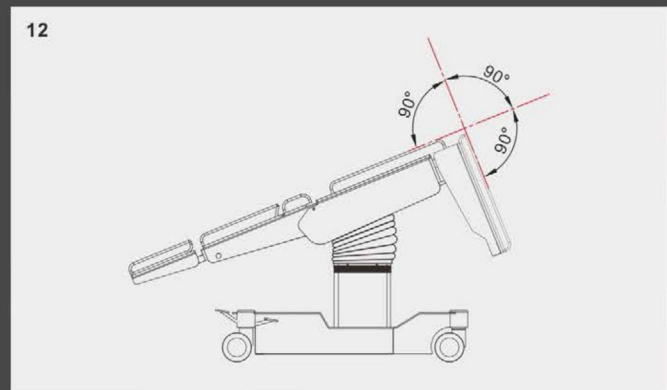
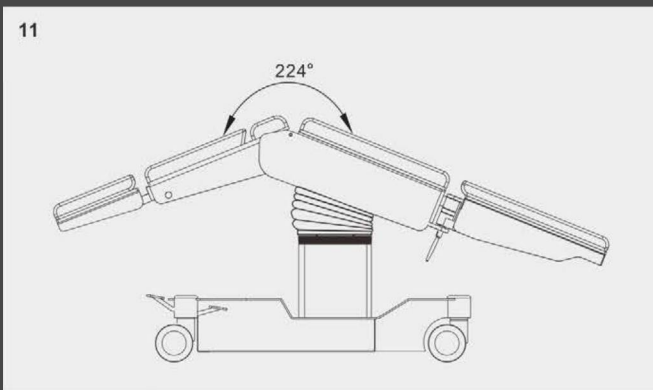
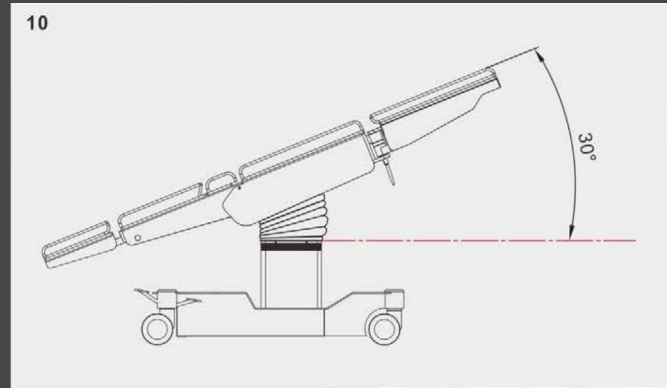
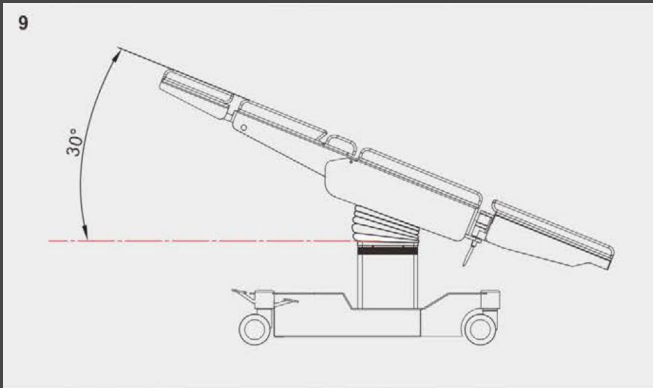
12



Basic features



Basic features





Technical Features

Operating table Versions

EST-XTD2E	Surgical table standard
EST-XTD2EZ	Surgical table with zero function
EST-XTD2ESZ	Surgical table with Zero function and adjustable height 700-1100 mm

Features

Total length	2220 mm (with footplate)
Total width	600 mm
Net width	555 mm
Head section length	300 mm
Back section length	380 mm
Main section length	1080 mm
Leg section length	580 mm
Supporting bottom	910 x 625 x 140 mm
Height adjustment range	700 ~ 1000 mm
Kidney support up	120 mm
Movement backward to forward	350 mm (to head section and to foot section)
Back section up	70°
Back section down	22°
Trendelemburg	+30°
Anti-Trendelemburg	-30°
Lateral tilt	25°
Leg section inclination	+15° ~ -90°
Spread angle of leg plates	200°
Head section inclination	+45° ~ -90°
Net weight	280 Kg
Lying patient max load	300 Kg
Max. load	320 Kg
Integrated back-up battery	Yes, for over 150 movements
Power Supply	220V, 50Hz (optional : 110V, 60Hz)
Sizes with optional ES-TUR (full tunnel cassette holders):	
Back section	500x390mm (LxW)
Seat section	560x335mm (LxW)
Leg section (each)	500x320mm (LxW)

Optional and spare parts

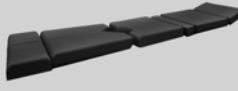
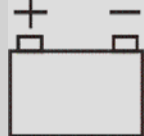








1	x	ES-TUN	X-ray cassette tunnel
1	x	EST-120001	Standard PU pad mattress, 1 set
1	x	EST-120002	Memo line pad mattress, 1 set, 85mm thickness
1	x		300mm distance actuator
1	x		Tilt actuators
1	x		Trendelenburg actuator
1	x		Back-forward movement actuator
2	x		Backsection actuator
2	x		Leg actuator
4	x		Castors
1	x		Control box
1	x		Hand control
1	x		Additional control
2	x		Backup battery

Optional Accessories

Please, look at the optional accessories section on above pages from 6 to 17.



Standard Accessories

				
EST-120001 Standard mattress	EST-XBATT Intergrated battery	EST-100001 Head section	EST-100003 Leg section	EST-100100 Arm rest, 1 pair
				
EST-100182 Leg support, 1 pair	EST-100116 Feet support, 1 pair	EST-100109 4 x Fixing clamp	EST-100110 2 x Fixing clamp	EST-100111 2 x Fixing clamp



Pulse Healthcare Technology

House: 11/1, Shahid Minar Road
Kallyanpur, Dhaka-1216, Bangladesh.
Mobile: +8801708008061
e-mail: info@pht.com.bd
web: www.pht.com.bd



ESSE3 srl, Via Garibaldi 30
14022 Castelnuovo D.B. (AT)
Tel +39 011 99 27 706
Fax +39 011 99 27 506
e-mail: esse3@chierinet.it
web: www.esse3-medical.com

